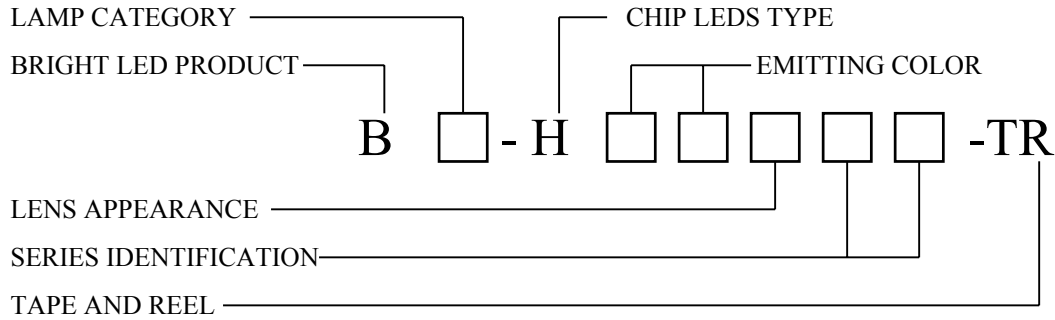




SELECTION GUIDE TO CHIP LED LAMPS (PART NO. SYSTEM)



LAMP CATEGORY

L : Standard Lamp B : Blinking Lamp R : Resistor Lamp

SERIES IDENTIFICATION

3 : 1206 Flat Top Type	3A : 1206 Inner Lens Type
4A : Right Angle Lens Type/2.0mmHeight	4B : Right Angle Lens Bi-Color Type
4C : Right Angle Lens Type /1.7mmHeight	5A : 0805 Flat Top Type
6A : 0603 Super Thin(0.6mm)Thick	6D : 0603 Flat Top Type
3 : 1206 Bi-Color Type	3B : Bi-Color Type
3F : Multi Color Type	3T : Multi Color Type

LENS APPEARANCE

1 : Color Diffused 2 : White Diffused 3 : Water Clear 4 : Color Transparent

PACKAGE TYPE

H : CHIP LED X : Axial

EMITTING COLOR

A _X : GaAsp/Gap 610nm/Amber (7)	B ₄ : InGaN 470nm/Super Blue	D _X : GaAlAs/GaAs 660nm/DH Red
E _X : GaAsp/Gap 640nm/Orange (4)	F _X : GaAlAs/GaAs660nm/DDH Red	G _X : Gap/Gap 568nm/Yellow Green (2)
G ₄ : InGaN 505nm/Bluish Green	G ₆ : InGaN 525nm/Green	H _X : Gap/Gap 700nm/Bright Red (5)
J _X : AlGaInP620nm/Super Orange	K _X : AlGaInP595nm/Super Yellow	R _X : GaAsp/GaAs 655nm/Red (1)
S _X : GaAlAs/GaAs660nm/SH Red (6)	W _X : Gap/Gap 555nm/Pure Green (9)	X _X : Gap/Gap 568nm/Hi-Eff Green
Y _X : GaAsp/Gap583nm/Yellow(3)		